

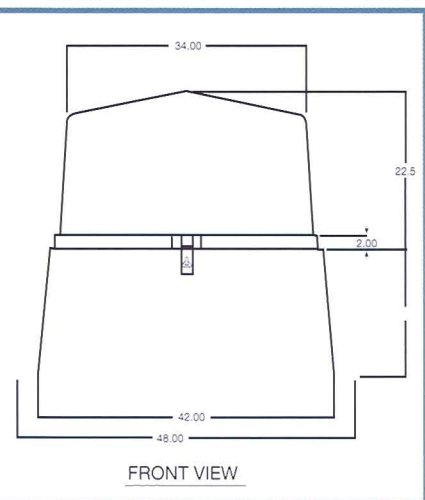
Weather • Tight

Fiberglass Utility Enclosure

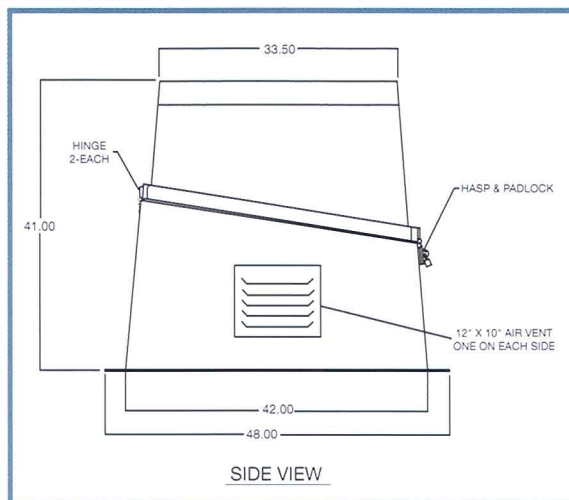
- Pumps
- Pool Equipment
- Tools
- Dock Accessories
- and More...



Model AE100



FRONT VIEW



SIDE VIEW

Features:

- Weatherproof
- Fiberglass corrosion resistant
- Hinge top for easy access
- Durable gel coat finish
- Lockable
- Galvanized hardware
- Nylon screen vents

DISTRIBUTED BY

CORPORATE OFFICE: P.O. BOX 186, PALMETTO, FL 34220
941.723.3072 / 800.226.3072 / FAX: 941.729.2174

ALLIED
FIBERGLASS
INDUSTRIES, INC.

Creating A World Around Fiberglass